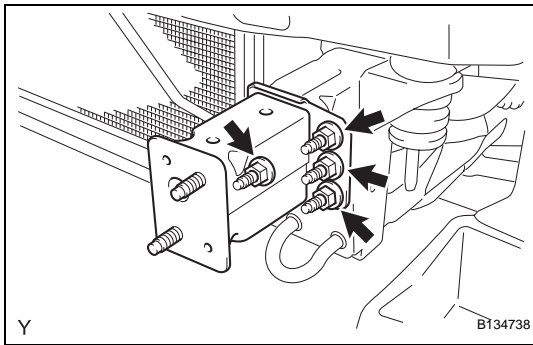
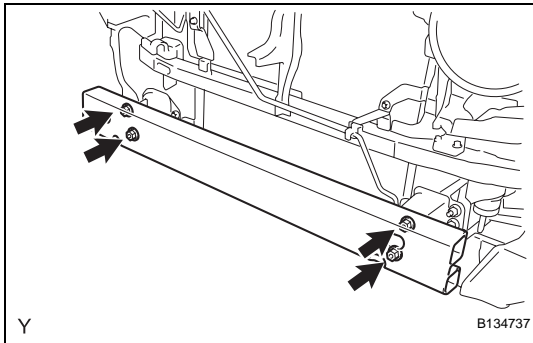


INSTALLATION

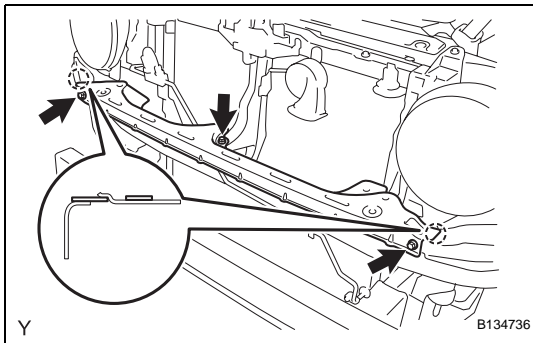


1. **INSTALL FRONT BUMPER EXTENSION LH**
 - (a) Install the front bumper extension with the 4 nuts.
Torque: 65 N*m (665 kgf*cm, 48 ft.*lbf)

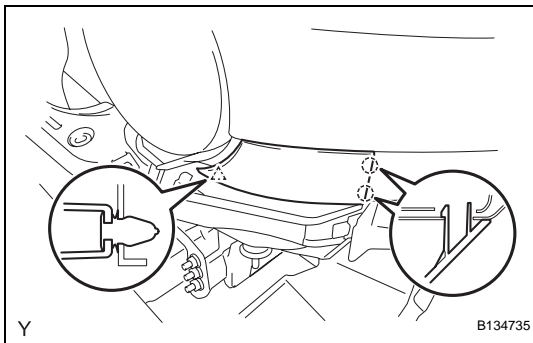
2. **INSTALL FRONT BUMPER EXTENSION RH**
HINT:
Use the same procedure as for the LH side.



3. **INSTALL FRONT BUMPER REINFORCEMENT**
 - (a) Install the front bumper reinforcement with the 4 nuts.
Torque: 65 N*m (665 kgf*cm, 48 ft.*lbf)

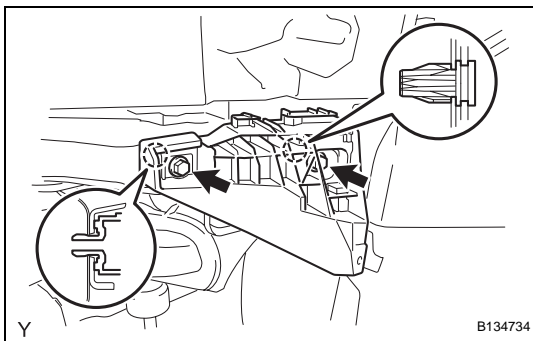


4. **INSTALL FRONT BUMPER UPPER RETAINER**
 - (a) Engage the 2 hooks and install the front bumper upper retainer.
 - (b) Tighten the 3 bolts.
Torque: 8.0 N*m (80 kgf*cm, 71 in.*lbf)



5. **INSTALL FRONT BUMPER FILLER LH**
 - (a) Engage the clip and the 2 claws and install the front bumper filler.

6. **INSTALL FRONT BUMPER FILLER RH**
HINT:
Use the same procedure as for the LH side.

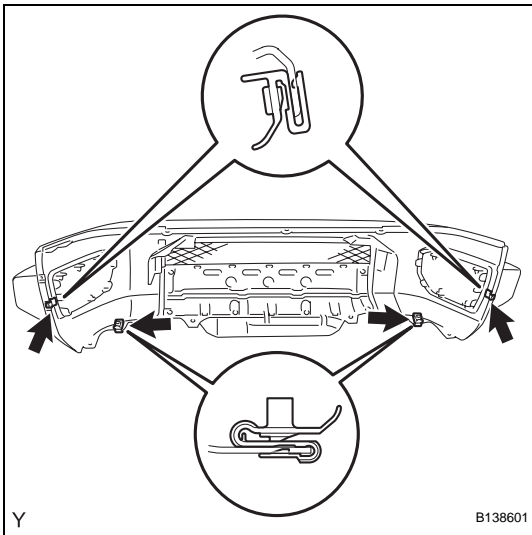


7. **INSTALL FRONT BUMPER SIDE SUPPORT LH**
 - (a) Engage the 2 claws and install the front bumper side support.
 - (b) Tighten the 2 screws.

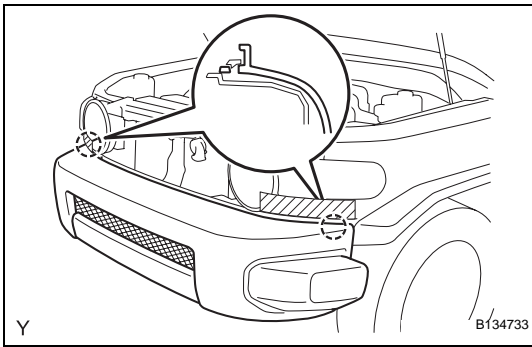
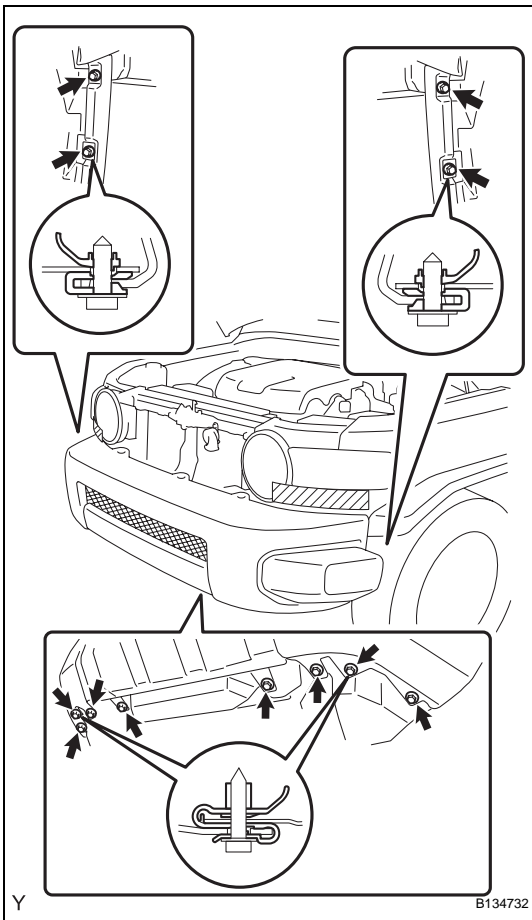
8. **INSTALL FRONT BUMPER SIDE SUPPORT RH**
HINT:
Use the same procedure as for the LH side.

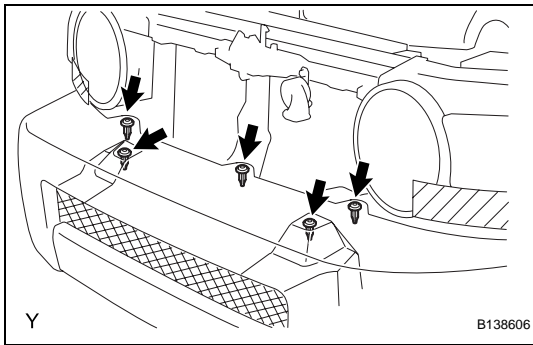
9. INSTALL FRONT BUMPER COVER

(a) Install the 4 clips.

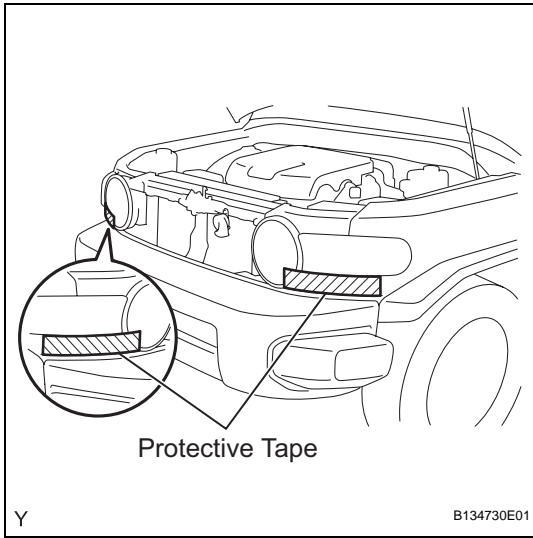


(b) Engage the 2 claws and install the front bumper cover.

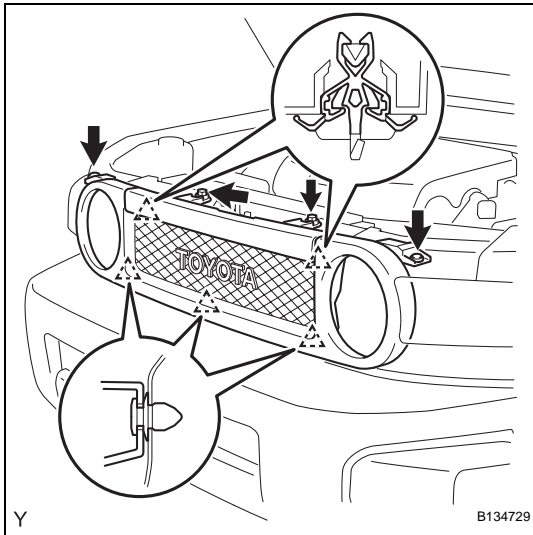
(c) Tighten the 8 screws and the 4 bolts.
Torque: 3.0 N*m (30 kgf*cm, 27 in.*lbf) for screw
8.0 N*m (80 kgf*cm, 71 in.*lbf) for bolt



(d) Install the 5 clips.



(e) Remove the protective tape.



10. INSTALL RADIATOR GRILLE

- (a) Engage the 5 clips and install the radiator grille.
- (b) Tighten the 2 screws.
Torque: 3.0 N*m (30 kgf*cm, 27 in.*lbf)
- (c) Install the 2 clips.